

PRODUCT 200 series

ASTORAL

200 SERIES TRIPOD TABLE LEG

PRODUCT CATALOGUE

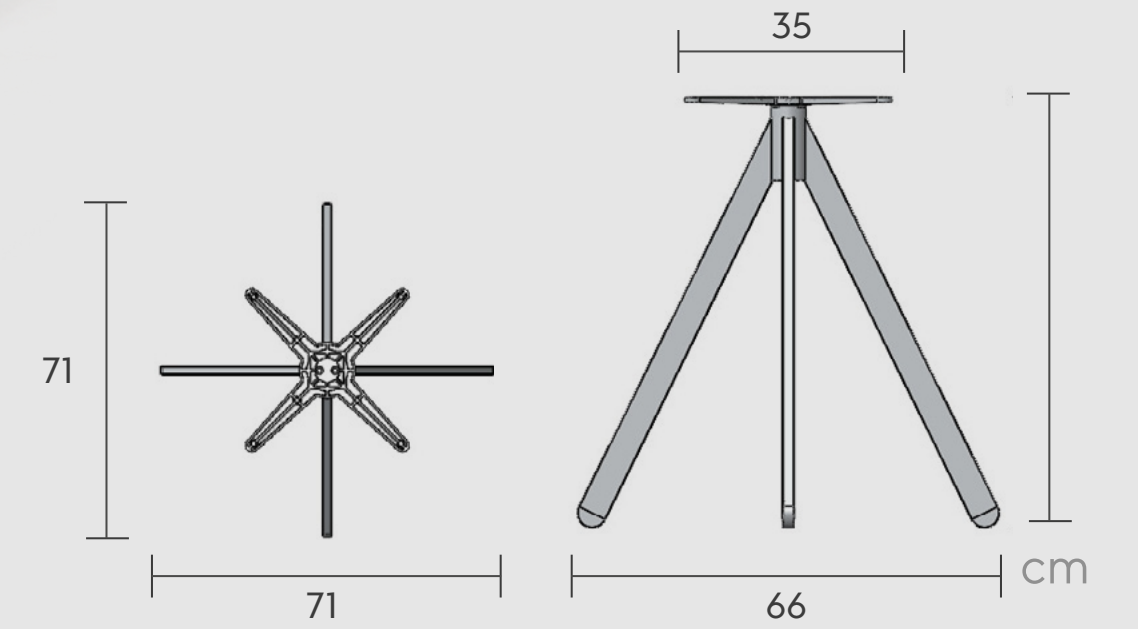
astormoebel.de | optcohomegarden.nl | astoral.com

table leg



tripods

MA 200



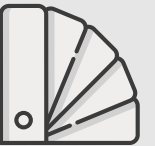
 RECYCLABLE PRODUCT
  DISASSEMBLED
  ADJUSTABLE FEET

MATERIAL

• Aluminum high pressure die casting, extruded aluminum profile

COLOR OPTIONS



Finishing: Powder coating
Standard Colors: Black & white.
Any specific colours are available with MOQ-100 pcs.


BOX DIMENSIONS

PCS/PALLET	LENGTH (cm)	WIDTH (cm)	HEIGHT (cm)	NET WEIGHT (kg)	GROSS WEIGHT (kg)	VOLUME m ³
35 pcs	72,0	72,0	73,0	3,05	3,50	0,378

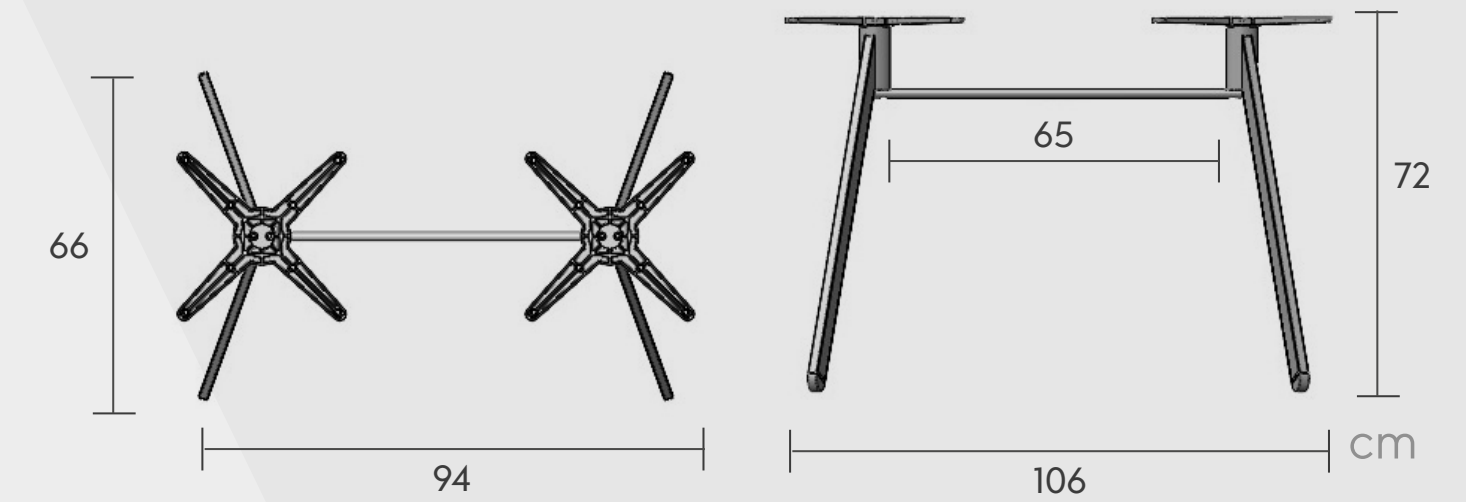
LOGISTIC INFO

490 pcs  20 ft
 1.050 pcs  40 ft
 1.155 pcs  TIR

TECHNICAL INFORMATION

- Outdoor • %100 Recyclable • Corrosion Free
- Durable • Light Weight • Easily Assembled
- Long Lasting • Stable Dimensions

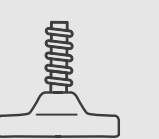
MA 220



RECYCLABLE PRODUCT



DISASSEMBLED



ADJUSTABLE FEET

MATERIAL

• Aluminum high pressure die casting, extruded aluminum profile

COLOR OPTIONS

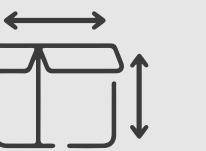


White Black Others

Finishing: Powder coating
Standard Colors: Black & white.
Any specific colours are available with MOQ-100 pcs.



BOX DIMENSIONS



PCS/PALLET	LENGTH (cm)	WIDTH (cm)	HEIGHT (cm)	NET WEIGHT (kg)	GROSS WEIGHT (kg)	VOLUME m ³
35 pcs	108,0	68,0	73,0	4,53	4,53	0,536

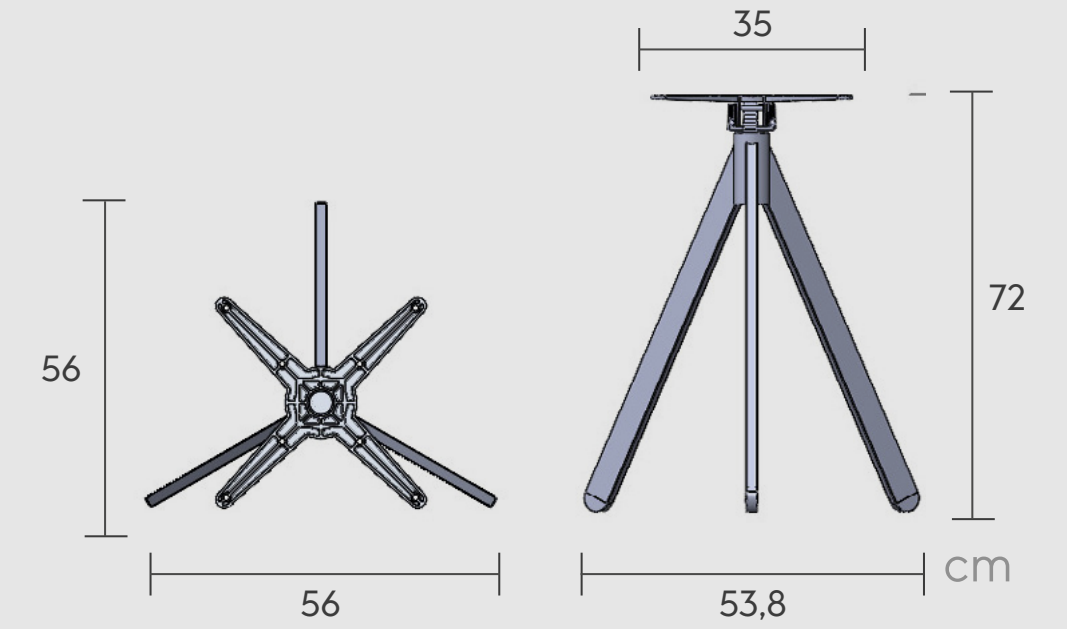
TECHNICAL INFORMATION

- Outdoor • %100 Recyclable • Corrosion Free
- Durable • Light Weight • Easily Assembled
- Long Lasting • Stable Dimensions

LOGISTIC INFO



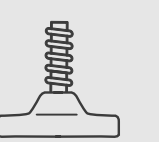
MA 235 F



RECYCLABLE PRODUCT



DISASSEMBLED



ADJUSTABLE FEET

MATERIAL

• Aluminum high pressure die casting, extruded aluminum profile

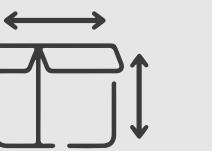
COLOR OPTIONS



Finishing: Powder coating
Standard Colors: Black & white.
Any specific colours are available with MOQ-100 pcs.



BOX DIMENSIONS



PCS/PALLET	LENGTH (cm)	WIDTH (cm)	HEIGHT (cm)	NET WEIGHT (kg)	GROSS WEIGHT (kg)	VOLUME m ³
35 pcs	58,0	58,0	73,0	3,09	3,09	0,246

TECHNICAL INFORMATION

- Outdoor • %100 Recyclable • Corrosion Free
- Durable • Light Weight • Easily Assembled
- Long Lasting • Stable Dimensions

LOGISTIC INFO

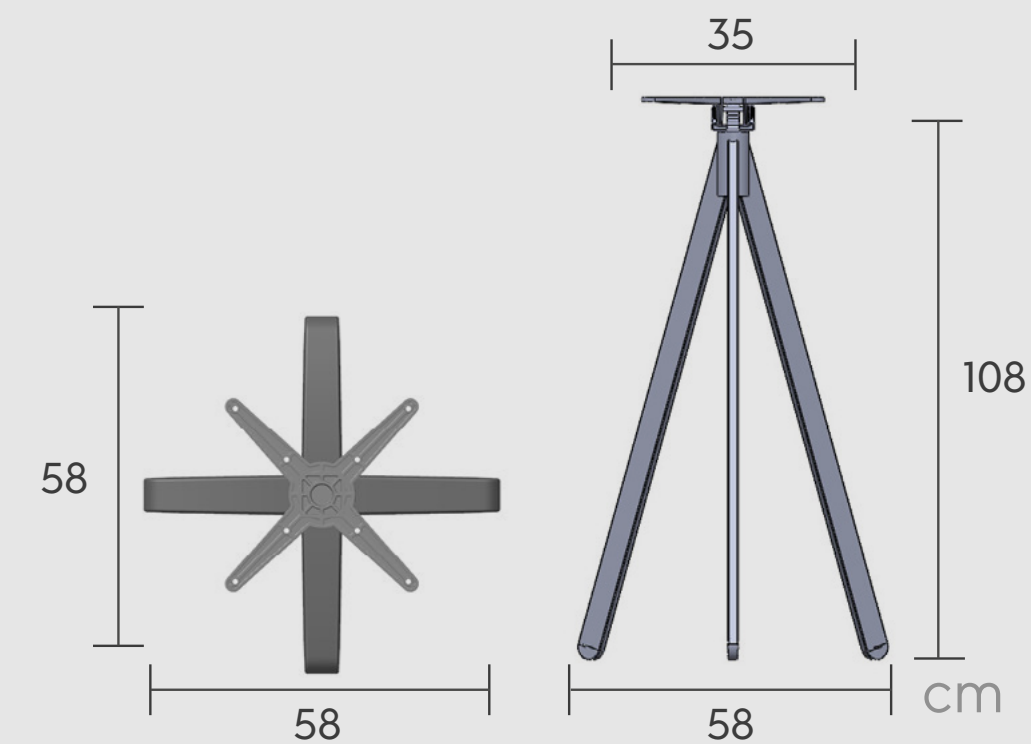


MA 235 F BISTRO



TECHNICAL INFORMATION

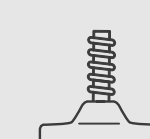
- Outdoor • %100 Recyclable • Corrosion Free
- Durable • Light Weight • Easily Assembled
- Long Lasting • Stable Dimensions



RECYCLABLE PRODUCT



DISASSEMBLED



ADJUSTABLE FEET

MATERIAL

• Aluminum high pressure die casting, extruded aluminum profile

COLOR OPTIONS



Finishing: Powder coating
Standard Colors: Black & white.
Any specific colours are available with MOQ-100 pcs.



BOX DIMENSIONS



PCS/PALLET	LENGTH (cm)	WIDTH (cm)	HEIGHT (cm)	NET WEIGHT (kg)	GROSS WEIGHT (kg)	VOLUME m ³
35 pcs	58,0	58,0	108,0	3,75	3,75	0,363

LOGISTIC INFO



ASTORAL



astormoebel.de | optcohomegarden.nl | astoral.com

HEADQUARTER

✉ astoral.com
info@astoral.com

☎ +90 216 510 45 25

📍 Barbaros Mah. Mor Sümbül Sok.No:5
D:305 Deluxia Place Ataşehir / İstanbul

GERMANY BERLIN

✉ astormoebel.de
info@astormoebel.de

☎ +49 177 3378462

📍 Sterkrader Str. Turm 13 49-59
13507 Berlin

GERMANY TRIER

✉ astormoebel.de
info@astormoebel.de

☎ +49 177 3378462

📍 Diedenhofener Str. 1h
54294 Trier

NEDERLAND

✉ optcohomegarden.nl
info@optcohomegarden.nl

☎ +31 6 54228444

📍 Oude Fabriekstraat 20, 3812
NR Amersfoort / Netherlands

FACTORY

✉ astoral.com
info@astoral.com

☎ +90 532 818 28 46

📍 Pelitli Mah. Tavşanlı Yolu Cad.
No: 79, 41400 Gebze / Kocaeli