

PRODUCT

ASTORAL

STEEL TABLE LEG

PRODUCT
CATALOGUE

astormoebel.de | optcohomegarden.nl | astoral.com

steel

table leg

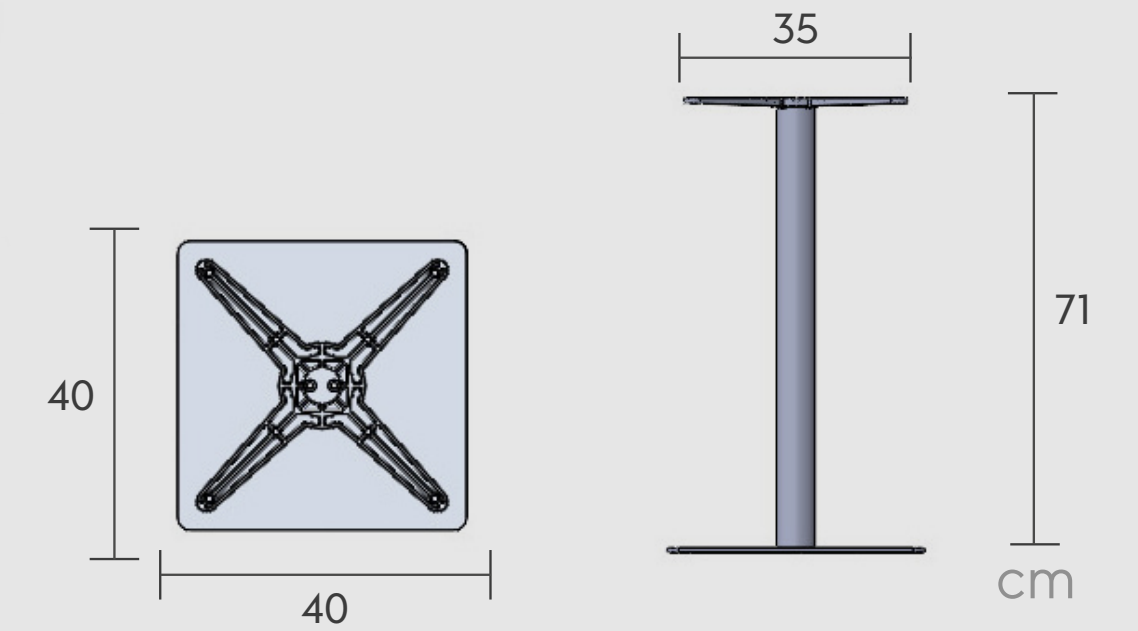


MA 870



TECHNICAL INFORMATION

- Outdoor • %100 Recyclable • Corrosion Free
- Durable • Light Weight • Easily Assembled
- Long Lasting • Stable Dimensions



MATERIAL

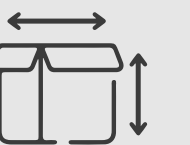
- Column dia. 60 mm aluminum extrusion, base & cross high pressure die casting

COLOR OPTIONS



Finishing: Powder coating
Standard Colors: Black & white.
Any specific colours are available with MOQ-100 pcs.

BOX DIMENSIONS

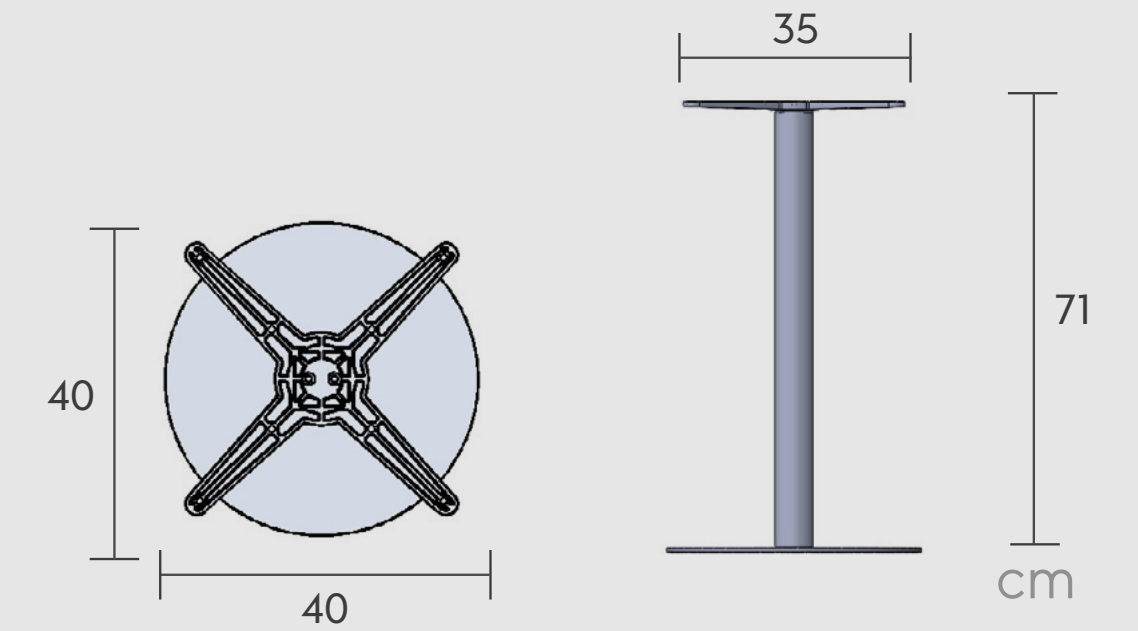


PCS/BOX	LENGTH (cm)	WIDTH (cm)	HEIGHT (cm)	NET WEIGHT (kg)	GROSS WEIGHT (kg)	VOLUME m ³
1 pcs/ 2 box	43,0	43,0	4,0	12,55	13,35	0,014
	72,5	9,5	9,5			

LOGISTIC INFO



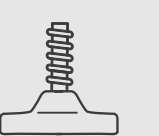
MA 880



RECYCLABLE PRODUCT



DISASSEMBLED



ADJUSTABLE FEET

MATERIAL

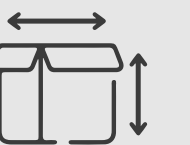
• Column dia. 60 mm aluminum extrusion, base & cross high pressure die casting

COLOR OPTIONS



Finishing: Powder coating
Standard Colors: Black & white.
Any specific colours are available with MOQ-100 pcs.

BOX DIMENSIONS



PCS/BOX	LENGTH (cm)	WIDTH (cm)	HEIGHT (cm)	NET WEIGHT (kg)	GROSS WEIGHT (kg)	VOLUME m ³
1 pcs/2 box	43,0	43,0	4,0	10,22	11,02	0,014
	72,5	9,5	9,5			

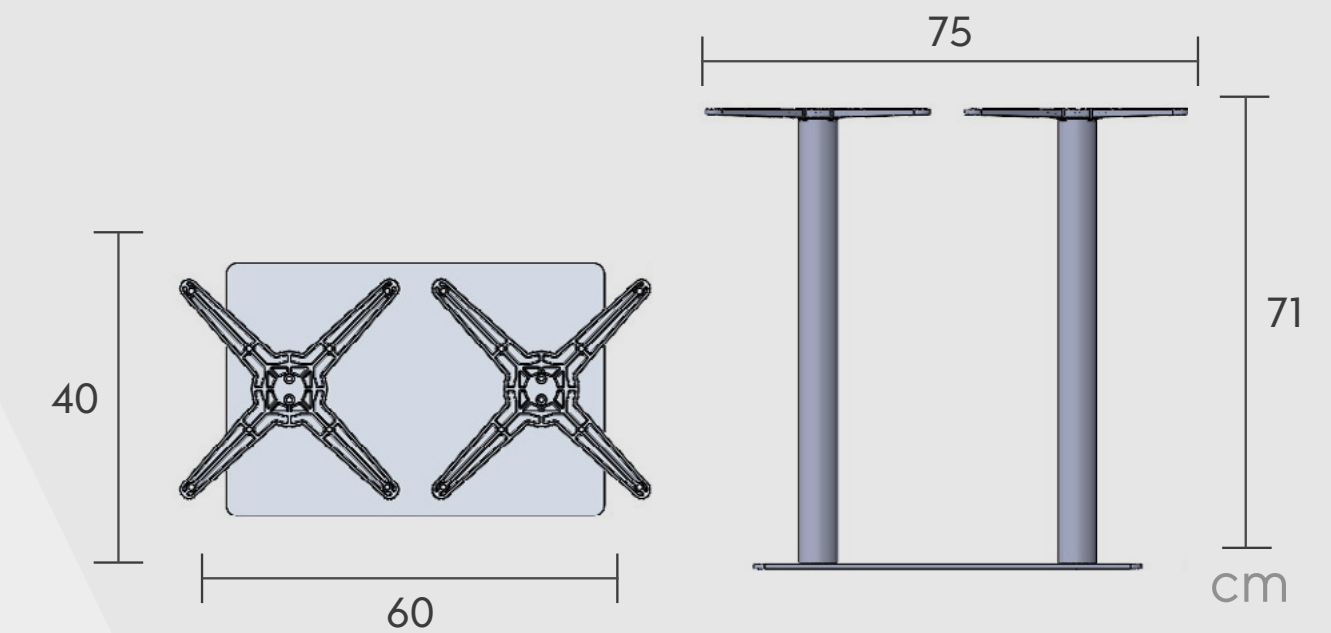
LOGISTIC INFO



TECHNICAL INFORMATION

- Outdoor • %100 Recyclable • Corrosion Free
- Durable • Light Weight • Easily Assembled
- Long Lasting • Stable Dimensions

MA 890



- RECYCLABLE PRODUCT
- DISASSEMBLED
- ADJUSTABLE FEET

- MATERIAL**
 - Column dia. 60 mm aluminum extrusion, base & cross high pressure die casting
- COLOR OPTIONS**
 - White
 - Black
 - Others

Finishing: Powder coating
 Standard Colors: Black & white.
 Any specific colours are available with MOQ-100 pcs.

BOX DIMENSIONS

PCS/BOX	LENGTH (cm)	WIDTH (cm)	HEIGHT (cm)	NET WEIGHT (kg)	GROSS WEIGHT (kg)	VOLUME m ³
1 pcs/ 3 box	63,0	43,0	7,0	13,34	18,04	0,032
	72,5	9,5	9,5			
	72,5	9,5	9,5			

TECHNICAL INFORMATION

- Outdoor • %100 Recyclable • Corrosion Free
- Durable • Light Weight • Easily Assembled
- Long Lasting • Stable Dimensions

LOGISTIC INFO

- 600 pcs 20 ft
- 1.320 pcs 40 ft
- 1.500 pcs

ASTORAL



astormoebel.de | optcohomegarden.nl | astoral.com

HEADQUARTER

✉ astoral.com
info@astoral.com

☎ +90 216 510 45 25

📍 Barbaros Mah. Mor Sümbül Sok.No:5
D:305 Deluxia Place Ataşehir / İstanbul

GERMANY BERLIN

✉ astormoebel.de
info@astormoebel.de

☎ +49 177 3378462

📍 Sterkrader Str. Turm 13 49-59
13507 Berlin

GERMANY TRIER

✉ astormoebel.de
info@astormoebel.de

☎ +49 177 6740698

📍 Diedenhofener Str. 1h
54294 Trier

NEDERLAND

✉ optcohomegarden.nl
info@optcohomegarden.nl

☎ +31 6 54228444

📍 Oude Fabriekstraat 20, 3812
NR Amersfoort / Netherlands

FACTORY

✉ astoral.com
info@astoral.com

☎ +90 533 818 28 46

📍 Pelitli Mah. Tavşanlı Yolu Cad.
No: 79, 41400 Gebze / Kocaeli