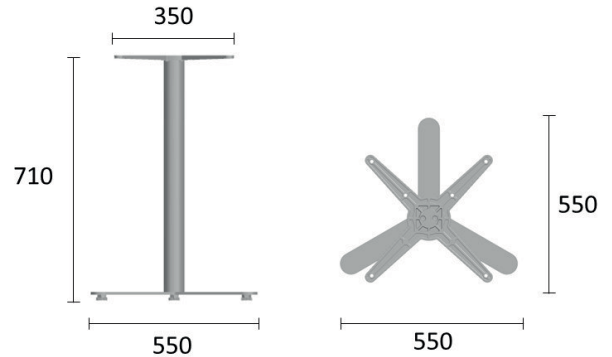


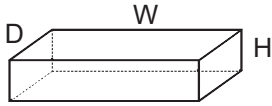
# MA 883 Datasheet



## Table Bases



### Logistic Information



SKU/box	Width (cm)	Depth (cm)	Height (cm)	Net Weight (~ kg)	Gross Weight (~ kg)	CBM (m <sup>3</sup> /box)	20FT DC (SKU)	40FT DC (SKU)	TIR (SKU)
1 SKU/2 box	51,5	43,0	6,5	5,0	5,5	0,054	500	1.000	1.200
	73,0	70,0	6,5						

### Material

- Column is Ø60 mm aluminum extrusion profile
- Cross is aluminum high pressure die casting
- Base is 8 mm steel plate

Recyclable product



### Technical Information

- Outdoor and Indoor
- Corrosion resistance
- Easy to assemble
- Dimensional stability
- Shipped disassembled

### Color Options



### Coating

- Electrostatic powder coating
- Environmentally friendly surface treatment process provides high corrosion resistance
- Industrial product formulated especially for decoration and protection of metal components for both outdoor and indoor use. It offers good weathering resistance, good mechanical properties, and a good balance of coating properties.

### Certifications

- The powder coating complies with the European Directives "Restriction of the use of certain hazardous substances" 2011/65/EU and 2015/863/EU (RoHS)
- Classification A2 (non flammable) of reaction to fire in accordance with NF EN 13501-1:2018

MH45216 (Fr)

Approvals  
UL 1332



### Maintenance

It is recommended to clean the products regularly especially in humid or marine climate locations to keep them in good condition for a long time. Clean the surfaces using a soft cloth with water or mild detergents. Prolonged and continuous exposure to intense UV radiation from sunlight or very low temperatures can negatively affect the coating therefore to keep products in sheltered places during non-use periods is strongly recommended.

### Astor Aluminum

Barbaros Mah. Morsümbül Sk. No:5 D:305 Deluxia Palace  
Ataşehir/ İSTANBUL

T: +90 (216) 510 4525

E-mail: [info@astoral.com](mailto:info@astoral.com)

<https://www.astoral.com>